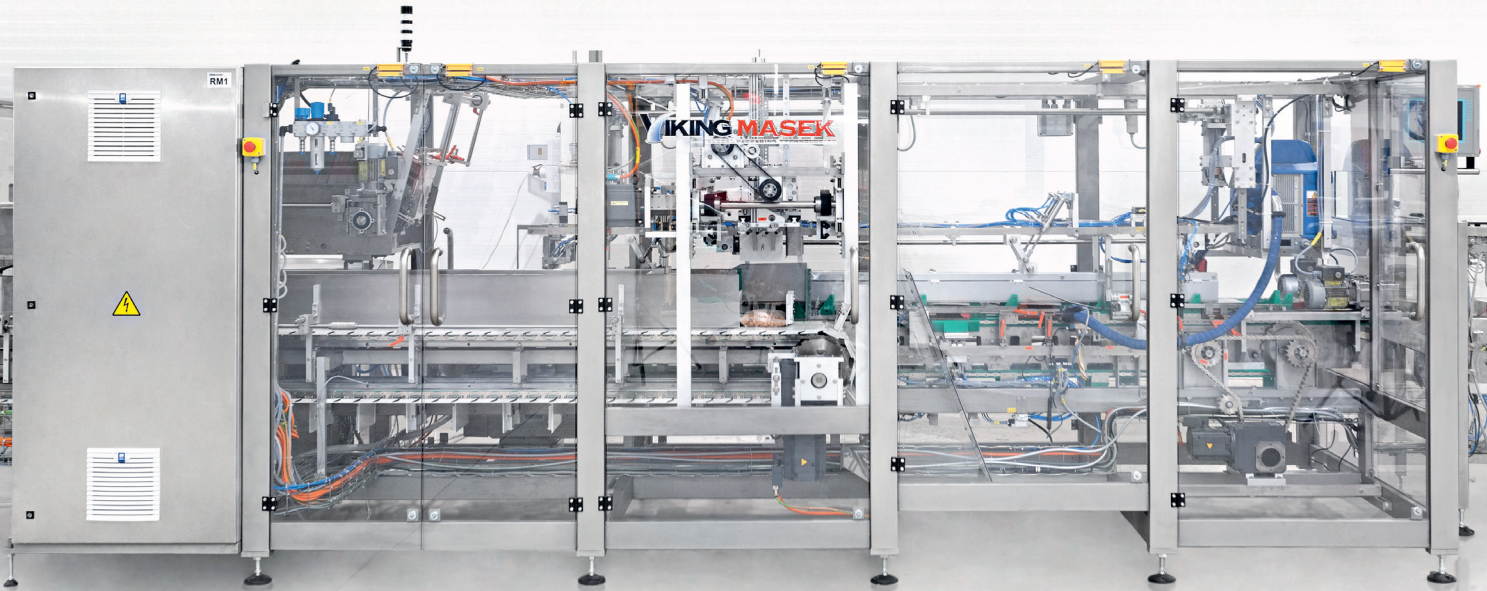


# Endload Cartoner CAM



Viking Masek's CAM cartoners are fully servo driven, automatic continuous or intermittent endload cartoners, carefully designed to match specific applications on exact speed and size range requirements.

**max. speed**

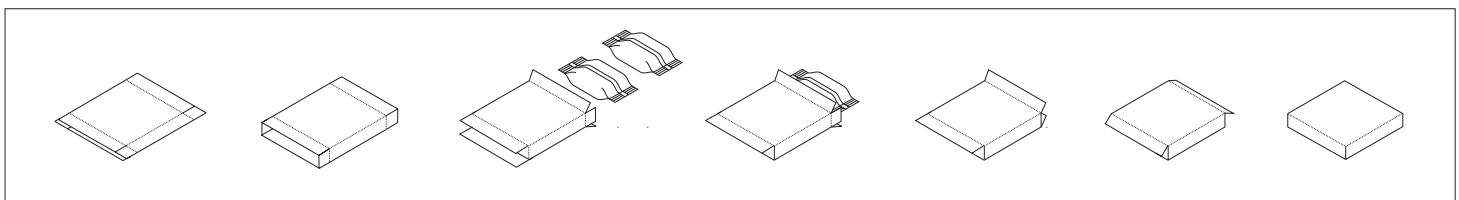
intermittent	continuous
60 cpm	240 cpm

**carton size**

max.  
i: 400×600×300 mm  
c: 225×300×200 mm  
min.  
40×80×20 mm



## Endload Process



# Endload Cartoner CAM In Detail

Viking Masek endload cartoning solutions are carefully designed to match customers' applications based on speed and size-range requirements. The CAM cartoner is a fully servo driven, highly flexible, economical and robust cartoner. The continuous or intermittent motion modes permit compact layouts, simple change-overs and a broad range of applications. Featuring easy change-over, various closure systems and product feeders, our customised solutions ensure guaranteed performance.

**Max. speed**  
65 cpm

**Air pressure**  
6 bar

**Weight**  
1 500–2 000 kg

**Power supply**  
8–12 kVA



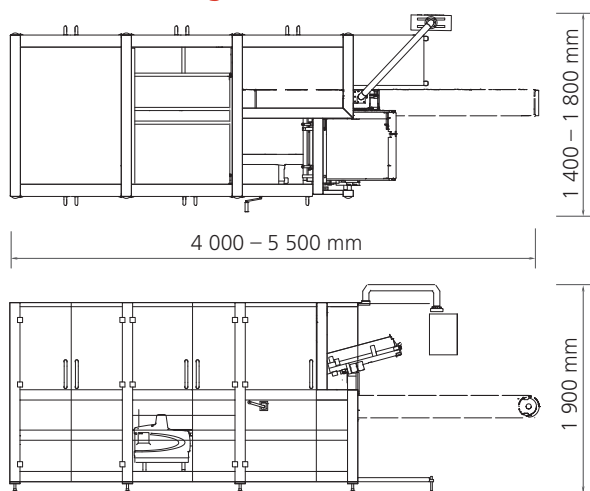
## features

- › Hot melt, hot air systems or tuck closure
- › Easy format change-over
- › Inclined carton magazine
- › Controlled carton supply
- › Servo drives
- › Rugged stainless steel construction
- › Vacuum pump included
- › Jogging control
- › Safety guarding
- › Off-the-shelf components
- › Siemens or Allen Bradley controls
- › IP54
- › Excellent accessibility
- › Ergonomic design

## options

- › Various styles of closure systems
- › Fully motorised size change-over
- › Damaged carton rejection
- › Open flap rejection
- › Different frame sizes to accommodate large carton range
- › Remote control
- › Extended carton magazine
- › Special electronics and voltages
- › IP65 washdown construction
- › Various types of feeders

## Machine drawings



### Europe, Asia, Africa, Australia

Viking Mašek, a.s. | Průmyslová 1747 | 258 01 Vlašim | Czech Republic

**Phone** +420 317 850 500 | **Email** info@masek.cz | **Website** www.masek.cz, www.vikingmasek.cz

### North and South America

Viking Masek Global Packaging Technologies, Inc. | 40 Woodland Court | Oostburg, WI 53070 | USA

**Phone** +1 920 564 5051 | **Email** sales@vikingmasek.com | **Website** www.vikingmasek.com