

Intermittent Bagmaker E250



Our durable, compact VFFS bagger that fits into tight spaces and tight budgets! This stainless steel vertical bagmaker is perfect for packing snacks, coffee, pet food, hardware products and more.

max. speed

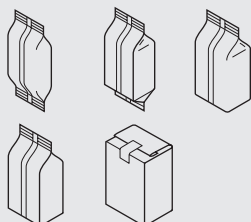
60
bpm

bag size

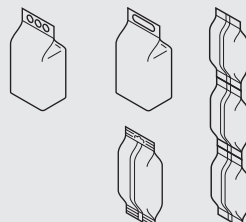
max.
250 × 400 mm (9.84" × 15.75")
min.
50 × 60 mm (2" × 2.38")



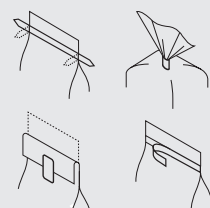
Bag Types



Bag Options



Recloseable Solutions



Intermittent Bagmaker E250 In Detail

This is Viking Masek's new economical solution in VFFS machines. The E250 features innovative technology, flexibility and reliability at economical costs. With bag dimensions of up to 250 mm wide by 400 mm long, the E250 is a flexible, functional and economical solution for all types of packaging needs. Accurate, user friendly operation is a constant feature in all of our machines.

features



- Robust, stainless steel, open-design frame
- Siemens control system
- Off-the-shelf components
- Minimal maintenance requirements
- Short film path
- Small machine footprint
- No tool change-over
- Automatic film tracking
- VFD powered film unwind
- Quick film splice table
- Photo eye and encoder
- Jaw obstruction detection
- Runs most film structures
- Storage for 100 product recipes

options



- Flat bottom bag assembly
- Gusset assembly
- Vacuum pull belts
- PE (poly) sealing jaws
- Gas flush
- Static eliminator
- Load shelf
- Tear notch
- Hole punch (Euroslot or Round)
- Product stagers
- End-seal cooling air
- Bag deflators
- Remote diagnostics
- In-feed and take-away conveyors
- Integration with variety of fillers, printers, metal detectors, label applicators, and checkweighers

Max. speed

60 bpm

Weight

650 kg (1,435 lbs)

Bag width

50 mm–250 mm
(2"–9.84")

Air pressure

6 bar
(20–25 CFM at 90 PSI)

Bag length

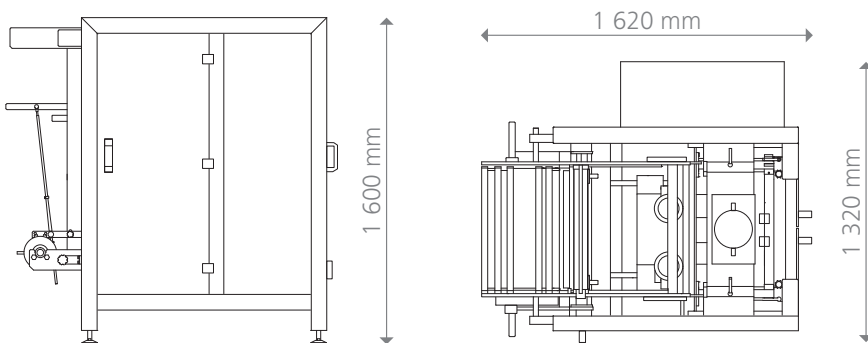
60 mm–400 mm
(2.38"–15.75")

Power supply

1.2 kVA



Machine drawings



Europe, Asia, Africa, Australia

Viking Mašek, a.s. | Průmyslová 1747 | 258 01 Vlašim | Czech Republic

Phone +420 317 850 500 | Email info@masek.cz | Website www.masek.cz, www.vikingmasek.cz

North and South America

Viking Masek Global Packaging Technologies, Inc. | 40 Woodland Court | Oostburg, WI 53070 | USA

Phone +1 920 564 5051 | Email sales@vikingmasek.com | Website www.vikingmasek.com