

# Multilane Stickpack Machine ST1200

By adding the ST1200 to our portfolio, Viking Masek continues to lead the stickpack machine market with an outstanding range of machines. The ST1200 is the newest high-performance stickpack machine using state-of-the-art technology.

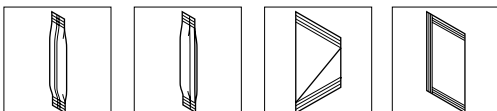


**max. speed** 50 cpm

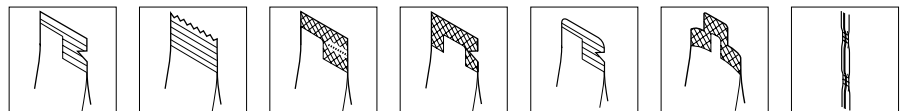
**bag size** max. 100 mm x 200 mm (3.94" x 7.88")  
min. 17 mm x 40 mm (0.67" x 1.57")



## Bag Types



## Bag Options



# Multilane Stickpack Machine ST1200 In Detail

Designed to pack powders; dense, fine, loose and particulate materials as well as liquids and gels into stickpack bags and to accommodate different bag shapes including pour spouts, tear notches and easy-open systems. We also offer fully automated cartoning solutions to suit your needs.

**Max. speed**  
50 bpm

**Weight**  
1 600 kg (3,525 lbs)

**Bag width**  
17–100 mm  
(0.67"–3.94")

**Air pressure**  
6 bar  
(15 CFM at 90 PSI)

**Bag length**  
40–200 mm  
(1.57"–7.88")

**Power supply**  
10 kVA  
(480 V, three phase,  
60 Hz., 30 AMPS)

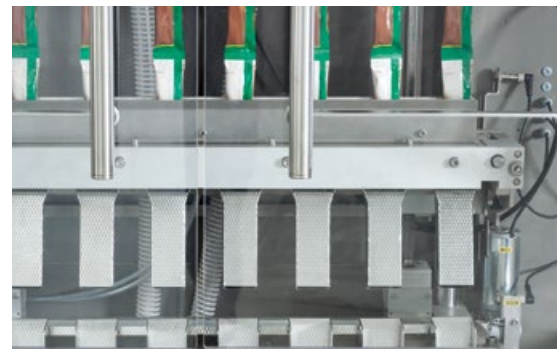
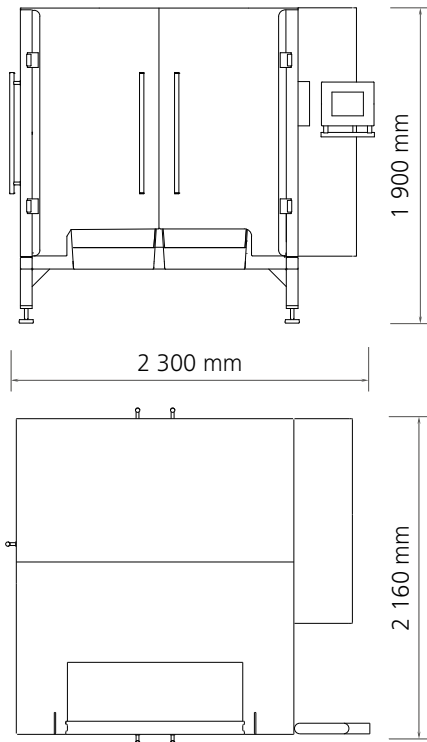
## features

- › Zigzag cut
- › Power film unwind
- › Film slitters and forming tubes – set per bag size
- › Discharge chutes
- › Siemens or Allen Bradley control system
- › Automatic film tracking
- › Integrated inner light
- › GMP construction

## options

- › Straight cut
- › Zigzag cut
- › Round cut
- › Multi-lane volumetric, servo auger, and servo liquid fillers
- › Easy change-over parts and stainless steel storage cart
- › Easy open features like tear notch or microperforation
- › Robotic pick-and-place unit and automatic cartoning solutions
- › Various seal patterns and shapes
- › Offset back seal
- › Automatic stickpack length adjustment
- › Individual discharge chutes
- › Empty stick detection
- › Empty stick rejection
- › Dust suction nozzles
- › Static elimination
- › Film edge trimming and suction
- › Embossing in the longitudinal seal
- › Stainless steel construction
- › Pharma construction (IQ/OQ)
- › Hot stamp, Inkjet, or thermal transfer printer

## Machine drawings



### Europe, Asia, Africa, Australia

Viking Mašek, a.s. | Průmyslová 1747 | 258 01 Vlašim | Czech Republic

**Phone** +420 317 850 500 | **Email** info@masek.cz | **Website** www.masek.cz, www.vikingmasek.cz

### North and South America

Viking Masek Global Packaging Technologies, Inc. | 40 Woodland Court | Oostburg, WI 53070 | USA

**Phone** +1 920 564 5051 | **Email** sales@vikingmasek.com | **Website** www.vikingmasek.com